

# DC Motor TW-555PM Series

OUTPUT POWER: 3.0 - 65W (APPROX)



### Features:

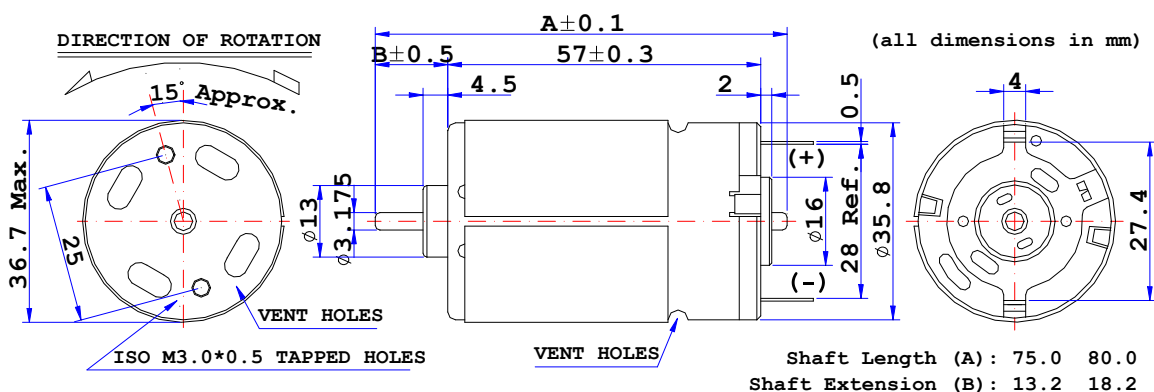
\* Carbon Brush Motor.

### Weight:

215g (APPROX)

### Typical Application:

1. Automotive Products: Car Antenna
2. Home Appliances> Printer /Computer Peripherals
3. Toys and Models> Ride-on Toy



## ELECTRICAL SPECIFICATION CHART: (The specifications can be changed as customers' requirement)

Model	Voltage		At No Load		At Max Efficiency				Stall Torque G.CM	
	Workable Range		Speed RPM	Current A	Speed RRPM	Current A	Torque G.CM	Output %		
TW-555PM-1815	15~30V	24V Constant	3840	0.08	3228	0.44	210	7.00	66.3	1320
TW-555PM-2112	6~30V	24V Constant	4600	0.11	4044	0.49	200	8.30	70.6	1652
TW-555PM-2670	3~12V	12V Constant	4500	0.19	3800	0.91	191	7.40	67.8	1110
TW-555PM-3546	6~24V	24V Constant	6200	0.28	5240	1.62	240	12.90	66.2	1550
TW-555PM-5027	12~20V	12V Constant	5880	1.00	4570	3.61	580	27.20	62.8	2600

## CHARACTERISTIC CURVES:

